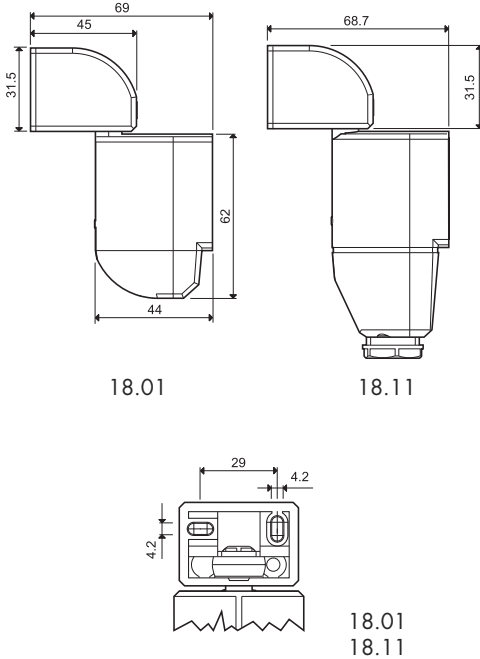


Features

PIR movement detector for internal or external installations - wall mounting

- Small size
- Adjustable ambient light intervention threshold
- Adjustable Light On Time
- Universal mounting position - permits the selection of any area for survey
- Wide angle of survey



18.01

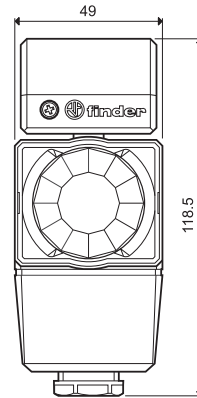
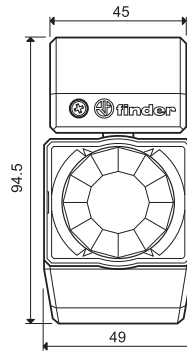


18.11



- 1 NO (SPST-NO) 10 A
- Internal installations
- Particularly suited for wall mounting

- 1 NO (SPST-NO) 10 A
- External installations
- Particularly suited for wall mounting



Contact specification

Number of contacts	1 NO (SPST-NO)		1 NO (SPST-NO)	
Rated current/Maximum peak current	10/20 A (100 A - 5 ms)		10/20 A (100 A - 5 ms)	
Rated voltage/Maximum switching voltage	230/230 V AC		230/230 V AC	
Rated load AC1	2,300 VA		2,300 VA	
Rated load AC15 (120/230 V)	250 VA	450 VA	250 VA	450 VA
Nominal lamp rating: incandescent (120/230 V)	500 W	1,000 W	500 W	1,000 W
compensated fluorescent (120/230 V)	200 W	350 W	200 W	350 W
uncompensated fluorescent (120/230 V)	250 W	500 W	250 W	500 W
halogen (120/230 V)	500 W	1,000 W	500 W	1,000 W

Standard contact material

AgSnO₂

AgSnO₂

Coil specification

Nominal voltage	AC (50/60 Hz)	120...230 V	120...230 V
	DC	—	—
Rated power AC/DC		2.5 VA [50 Hz]/—	2.5 VA [50 Hz]/—
Operating range	AC (50/60 Hz)	96...253 V	96...253 V
	DC	—	—

Technical data

Electrical life at rated load AC1	100 · 10 ³ cycles	100 · 10 ³ cycles
Ambient light intervention threshold	5...350 lx	5...350 lx
Light on time after last detection	10 s...12 min	10 s...12 min
Angle of survey	110°	110°
Depth of field	10 m	10 m
Ambient temperature range	-10...+50 °C	-30...+50 °C
Protection category	IP 40	IP 54

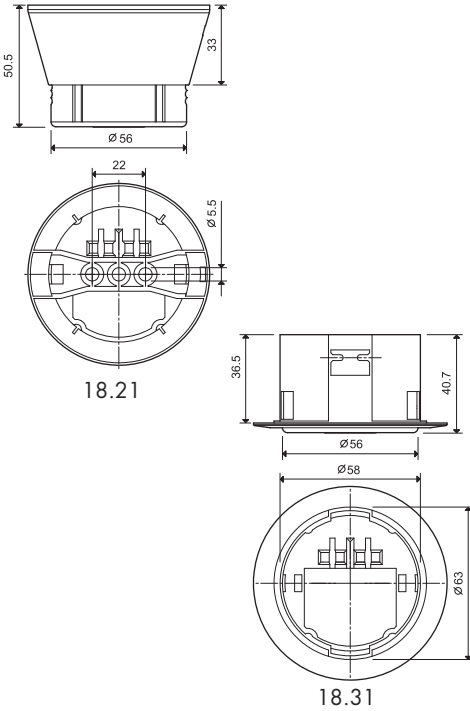
Approvals (according to type)



Features

PIR movement detector for internal installations

- Ceiling mounting
- Small size
- Adjustable ambient light intervention threshold
- Adjustable Light On Time
- Wide angle of survey



18.21

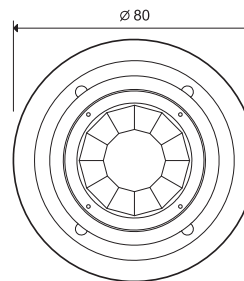
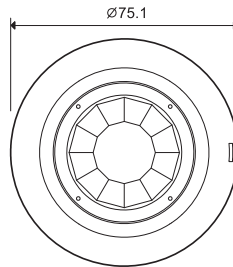


- 1 NO (SPST-NO) 10 A
- Internal ceiling installation
- Surface mounting
- Output connected to supply voltage

18.31



- 1 NO (SPST-NO) 10 A
- Internal ceiling installation
- Recessed mounting
- Output connected to supply voltage



Contact specification

Number of contacts	1 NO (SPST-NO)		1 NO (SPST-NO)	
Rated current/Maximum peak current	10/20 A (100 A - 5 ms)		10/20 A (100 A - 5 ms)	
Rated voltage/Maximum switching voltage	230/230 V AC		230/230 V AC	
Rated load AC1	2,300 VA		2,300 VA	
Rated load AC15 (120/230 V)	250 VA	450 VA	250 VA	450 VA
Nominal lamp rating: incandescent (120/230 V)	500 W	1,000 W	500 W	1,000 W
compensated fluorescent (120/230 V)	200 W	350 W	200 W	350 W
uncompensated fluorescent (120/230 V)	250 W	500 W	250 W	500 W
halogen (120/230 V)	500 W	1,000 W	500 W	1,000 W

Standard contact material	AgSnO ₂	AgSnO ₂
---------------------------	--------------------	--------------------

Coil specification

Nominal voltage	AC (50/60 Hz)	120...230 V	120...230 V
	DC	—	—
Rated power AC/DC		2 VA (50 Hz)/1	2 VA (50 Hz)/1
Operating range	AC (50/60 Hz)	96...253 V	96...253 V
	DC	—	—

Technical data

Electrical life at rated load AC1	100 · 10 ³ cycles	100 · 10 ³ cycles
Ambient light intervention threshold	5...350 lx	5...350 lx
Light on time after last detection	10 s...12 min	10 s...12 min
Angle of survey	110°	110°
Sensing area diameter	8 m	8 m
Ambient temperature range	-10...+50 °C	-10...+50 °C
Protection category	IP 40	IP 40

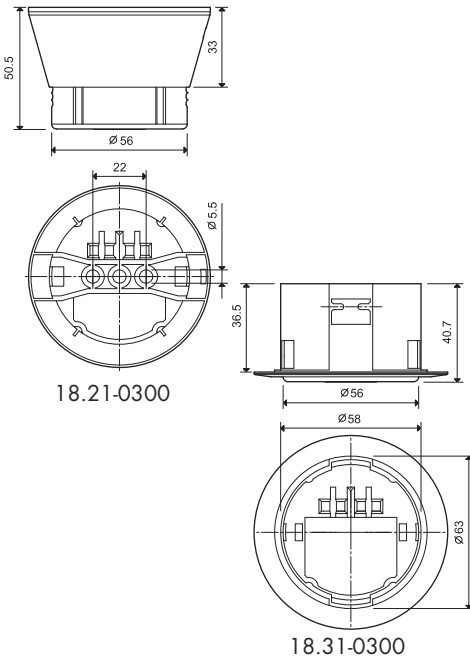
Approvals (according to type)



Features

PIR movement detector for internal installations, with potential free contact

- Applications where interface to PLC or BMS is required
- Ceiling mounting
- Small size
- Adjustable ambient light intervention threshold
- Adjustable Light On Time
- Wide angle of survey



NEW 18.21-0300

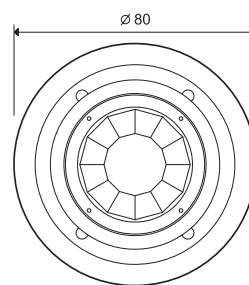
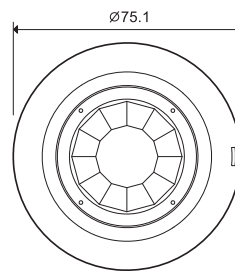


- 1 NO (SPST-NO) 10 A
- Internal ceiling installation
- Surface mounting
- Output with potential free contact

NEW 18.31-0300



- 1 NO (SPST-NO) 10 A
- Internal ceiling installation
- Recessed mounting
- Output with potential free contact



Contact specification		
Number of contacts	1 NO (SPST-NO)	1 NO (SPST-NO)
Rated current/Maximum peak current	10/20 A (100 A - 5 ms)	10/20 A (100 A - 5 ms)
Rated voltage/Maximum switching voltage	250/400 V AC	250/400 V AC
Rated load AC1	2,500 VA	2,500 VA
Rated load AC15 (230 V)	450 VA	450 VA
Nominal lamp rating: incandescent (230 V)	1,000 W	1,000 W
compensated fluorescent (230 V)	350 W	350 W
uncompensated fluorescent (230 V)	500 W	500 W
halogen (230 V)	1,000 W	1,000 W
Standard contact material	AgSnO ₂	AgSnO ₂
Coil specification		
Nominal voltage AC (50/60 Hz)	120...230 V	120...230 V
AC (50/60 Hz)/DC	24 V	24 V
Rated power AC/DC	2 VA (50 Hz)/1	2 VA (50 Hz)/1
Operating range AC (50/60 Hz)	96...253 V	96...253 V
AC (50/60 Hz)/DC	19.2...26.4 V	19.2...26.4 V
Technical data		
Electrical life at rated load AC1	100 · 10 ³ cycles	100 · 10 ³ cycles
Ambient light intervention threshold	5...350 lx	5...350 lx
Light on time after last detection	10 s...12 min	10 s...12 min
Angle of survey	110°	110°
Sensing area diameter	8 m	8 m
Ambient temperature range	-10...+50 °C	-10...+50 °C
Protection category	IP 40	IP 40
Approvals (according to type)		

Ordering information

Example: 18 series, PIR movement detector for internal installations, wall mounting, 1 NO (SPST-NO) 10 A contact, 120...230 V AC supply.

1 8 . 0 1 . 8 . 2 3 0 . 0 0 0 0

Series ———
Type ———
 0 = Internal installation - wall mounting
 1 = External installations
 2 = Internal ceiling installation - surface mounting
 3 = Internal ceiling installation - recessed mounting

Contact circuit
 0 = Volt-free contact
 3 = Potential free contact (18.21/31-0300 only)
Supply voltage
 024 = 24 V AC/DC for types 18.21/31-0300 only
 230 = 120...230 V
Supply version
 8 = AC (50/60 Hz)
No. of poles
 1 = Single pole switching 1 NO (SPST-NO), 10 A

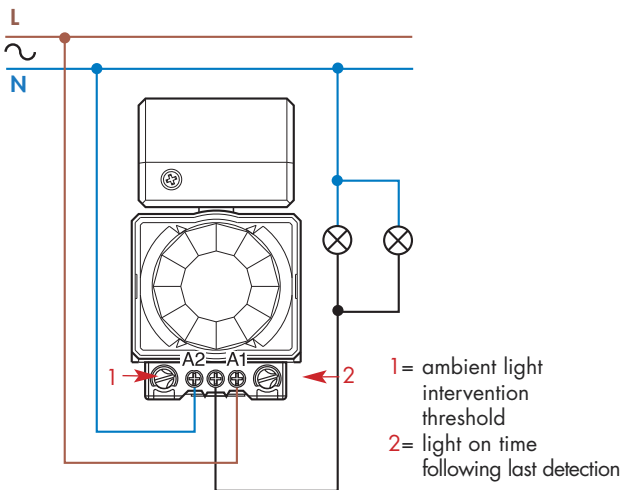
Technical data

Insulation		
Dielectric strength between open contacts V AC		1,000
Between supply and contact V AC		1,500 (types 18.21...0300, 18.31...0300)
Other data		
⊕ Screw torque	Nm	0.5
Max. cable size	mm ²	1.5

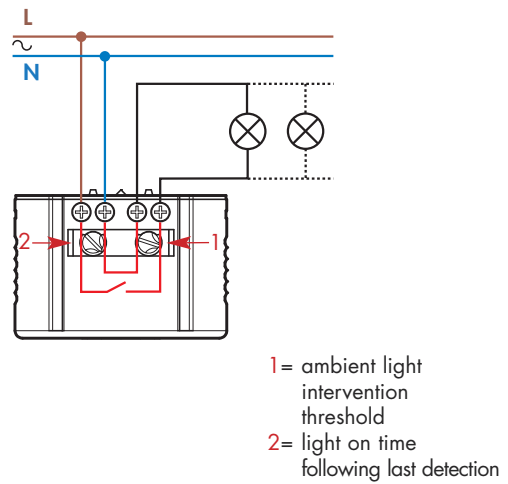
- Following the initial power-on, and following any subsequent power interruption, the detector makes a hardware-software initialization for approximately 30 seconds. However, if the detector was in the On state before the power interruption, and if the lighting level is below the pre-set threshold, the output contact immediately closes. Conversely, if it was in the Off state or if the ambient light is over the pre-set threshold, the detector will not switch until the end of the initialization phase.

Wiring diagram

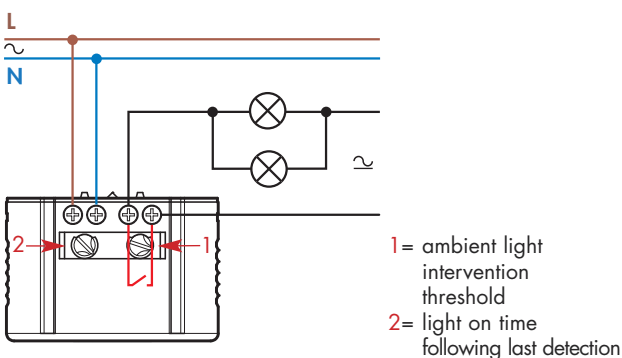
Type 18.01 / 18.11



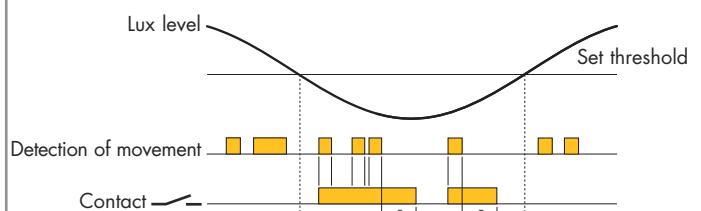
Type 18.21 / 18.31



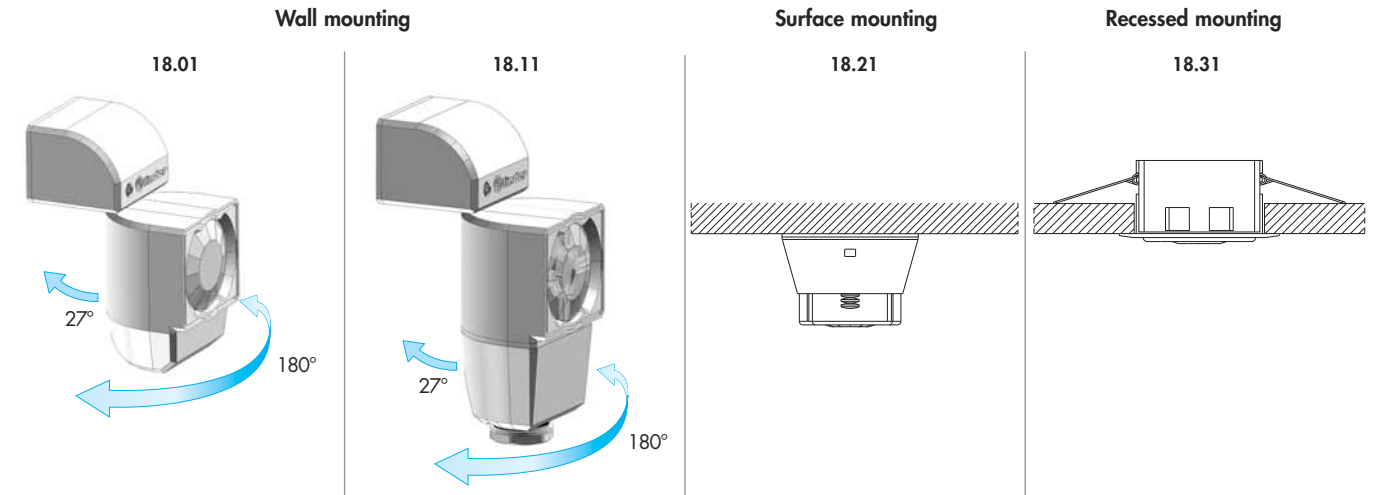
Type 18.21-0300 / 18.31-0300



The output relay will remain On for the pre-set time, following the last detection of movement.

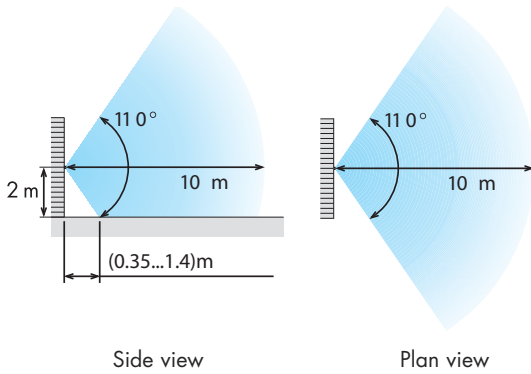


Mounting and orientation

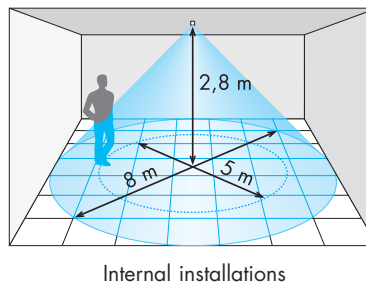


Sensing area

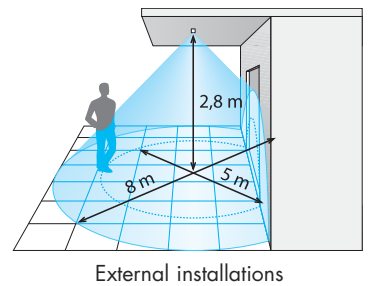
18.01, 18.11 - Wall mounting



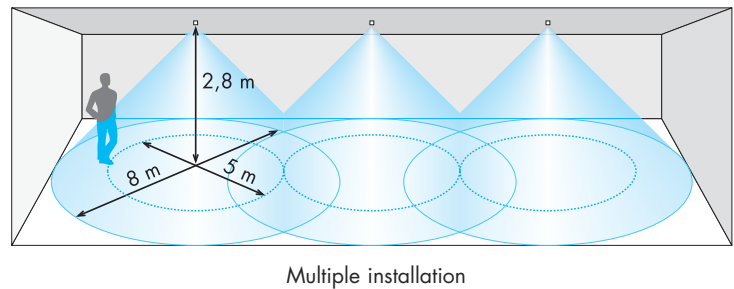
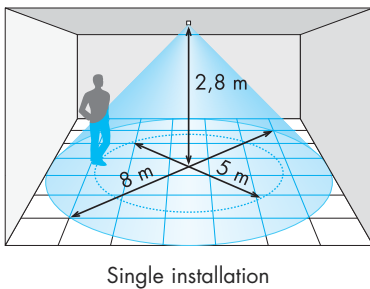
18.01 - Ceiling mounting



18.11 - Ceiling mounting



18.21, 18.31 - Internal ceiling installation, surface mounting or recessed mounting



Accessories



Beam limiter for 18.21 and 18.31 PIR movement detectors

Reduces the area of survey to 2 meters diameter (versus 8m) at an installation height of 2.8 meters.

