

# Customer Information Sheet

DRAWING No.: M20-11800XX

SHEET 2 OF 2

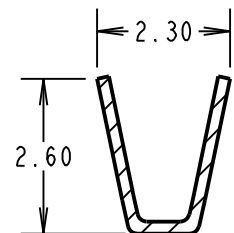
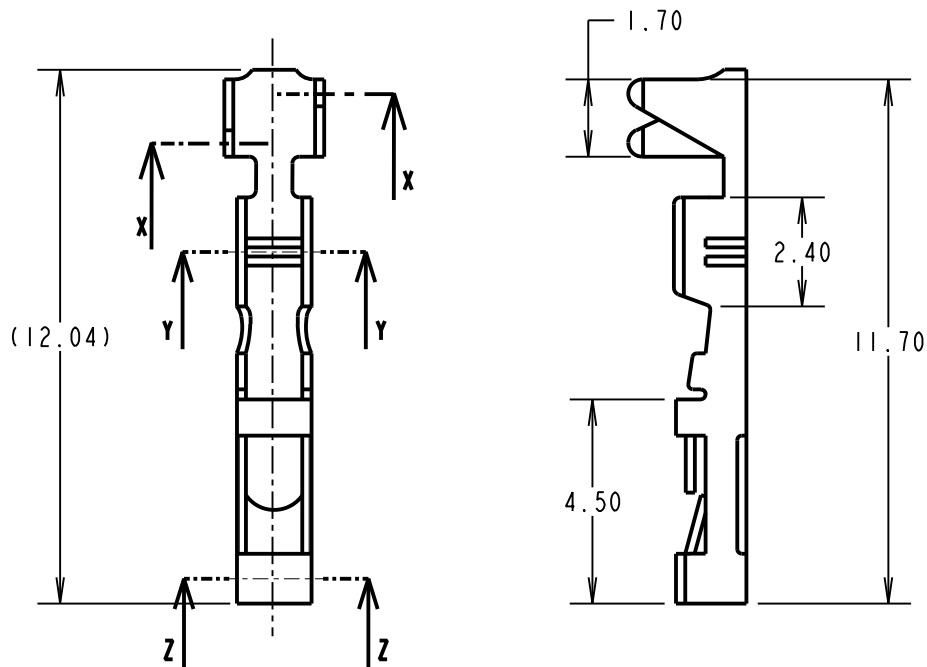
IF IN DOUBT - ASK

©

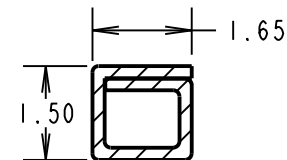
NOT TO SCALE

THIRD ANGLE PROJECTION

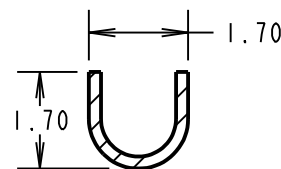
ALL DIMENSIONS IN mm



SECTION X-X



SECTION Z-Z



SECTION Y-Y

ORDER CODE:  
**M20-11800XX**  
 FINISH: \_\_\_\_\_  
 42 = GOLD + 100% TIN  
 46 = 100% TIN OVER NICKEL

NOTES:

- TO BE USED WITH CRIMP MOULDINGS M20-106XX00 AND M20-107XX00. SEE MOULDING DRAWING FOR COMPONENT SPECIFICATION.
- CONTACTS SUPPLIED LOOSE IN QUANTITIES OF 100.
- FOR COMPLETE SPECIFICATION, SEE COMPONENT SPECIFICATION COO1XX (LATEST ISSUE).
- ACCEPTS WIRE RANGE 22-30 AWG.
- DIAMETER OF WIRE INSULATION =  $\varnothing$ 1.60-0.90mm.
- TO BE USED WITH HAND TOOL Z20-320, SEE INSTRUCTION SHEET IS-15 FOR DETAILS.
- PRODUCT SUPPLIED ON REELS OF 10K.
- STRIP WIRE BY 3.0 - 4.0mm FOR CRIMPING.
- RECOMMENDED CONDUCTOR CRIMP HEIGHTS:  
 FOR 26 - 30 AWG = 0.69 - 0.75mm  
 FOR 22 - 24 AWG = 0.83 - 0.89mm

SPECIFICATIONS:

MATERIAL = BRASS

FINISH:

42 = GOLD + 100% TIN

46 = 100% TIN OVER NICKEL

MECHANICAL:

WITHDRAWAL FORCE = 1.5-0.8N

SB	13	30.07.12	11756
NAME	ISS.	DATE	C/NOTE
APPROVED: S.BENNETT			
CHECKED: S.FLOWER			
DRAWN: W.J.BOURNE			
CUSTOMER REF.:			
ASSEMBLY DRG:			

**HARWIN**

www.harwin.com  
 technical@harwin.com

THIS DRAWING AND ANY INFORMATION OR DESCRIPTIVE MATTER SET OUT HEREON ARE CONFIDENTIAL AND COPYRIGHT PROPERTY OF THE HARWIN GROUP AND MUST NOT BE DISCLOSED, LOANED, COPIED OR USED FOR MANUFACTURING, TENDERING OR FOR ANY OTHER PURPOSE WITHOUT THEIR WRITTEN PERMISSION.

TOLERANCES

X. =  $\pm$ 1mm  
 X.X =  $\pm$ 0.25mm  
 X.XX =  $\pm$ 0.10mm  
 X.XXX =  $\pm$ 0.01mm

ANGLES =  $\pm$ 5°

UNLESS STATED

MATERIAL:

SEE ABOVE

FINISH: SEE ABOVE

S/AREA: mm<sup>2</sup>

TITLE:

2.54mm FEMALE CRIMP  
 TERMINAL (LOOSE)

DRAWING NUMBER:

**M20-11800XX**

SHT  
 2 OF 2