

Customer Information Sheet

DRAWING No.: M22-252XXXX

SHEET 2 OF 2

IF IN DOUBT - ASK

©

NOT TO SCALE

THIRD ANGLE PROJECTION

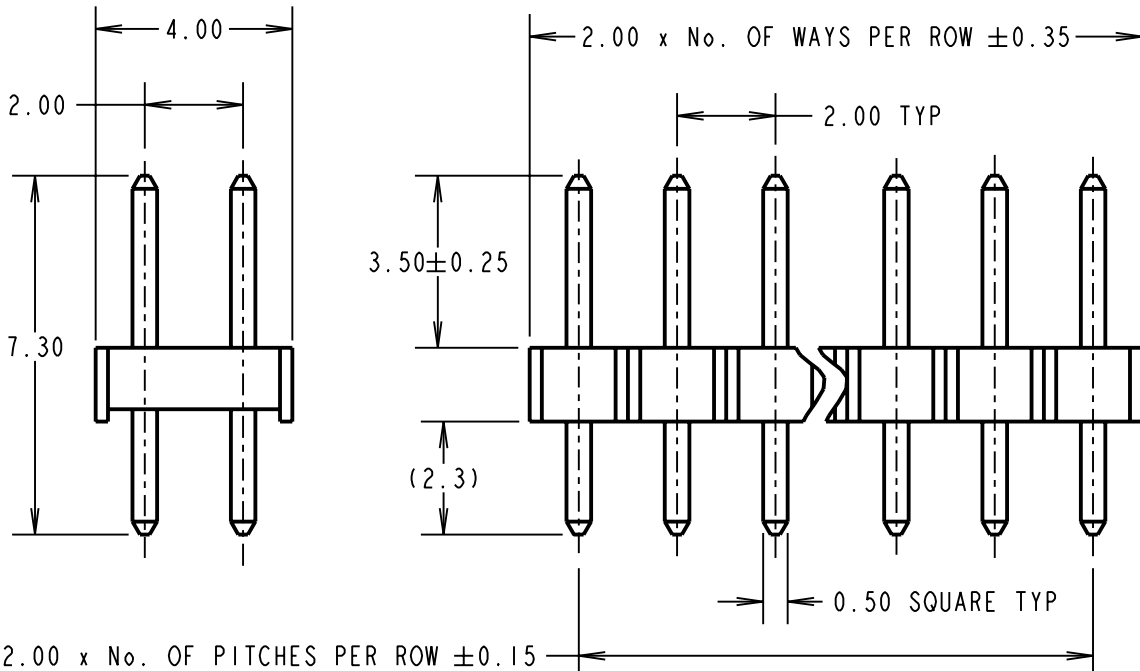
ALL DIMENSIONS IN mm

ORDER CODE:

M22-252XXXX

No. OF WAYS _____
02 - 50

FINISH _____
05 = GOLD
46 = 100% TIN



SPECIFICATIONS:

MATERIAL:
MOULDING = NYLON 6T, UL94V-0, BLACK
CONTACTS = PHOSPHOR BRONZE

FINISH:
05 = GOLD
46 = 100% TIN

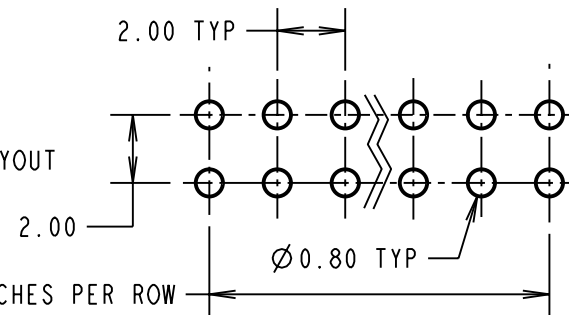
ELECTRICAL:
CURRENT RATING = 1A
VOLTAGE PROOF = 650V AC
CONTACT RESISTANCE:
INITIAL = 15 mΩ MAX (GOLD), 20 mΩ MAX (TIN)
AFTER CONDITIONING = 20 mΩ MAX (GOLD), 30 mΩ MAX (TIN)
INSULATION RESISTANCE:
INITIAL = 1,000 MΩ MIN
AFTER CONDITIONING = 100 MΩ MIN

MECHANICAL:
DURABILITY = 300 OPERATIONS (GOLD), 50 OPERATIONS (TIN)
INSERTION FORCE = 2N MAX
WITHDRAWAL FORCE = 0.3N MIN

ENVIRONMENTAL:
TEMPERATURE RANGE = -55°C TO +105°C

PACKING:
BAG
FOR COMPLETE SPECIFICATION, SEE
COMPONENT SPECIFICATION CO18XX (LATEST ISSUE)

RECOMMENDED PCB LAYOUT



NOTES:
1. ALL TOLERANCES ARE ±0.20 UNLESS OTHERWISE STATED.

CP	6	14.09.09	10298
NAME	ISS.	DATE	C/NOTE
APPROVED: C.PENROSE			
CHECKED: R.ADDE			
DRAWN: W. J. BOURNE			
CUSTOMER REF.:			
ASSEMBLY DRG:			

HARWIN

HARWIN USA TEL: 603 893 5376 FAX: 603 893 5396 mis@harwin.com	HARWIN Europe (UK) TEL: 023 9231 4545 FAX: 023 9231 4590 mis@harwin.co.uk	HARWIN Asia TEL: +65 6 779 4909 FAX: +65 6 779 3868 mis@harwin.com.sg
--	--	--

THIS DRAWING AND ANY INFORMATION OR DESCRIPTIVE MATTER SET OUT HEREON ARE CONFIDENTIAL AND COPYRIGHT PROPERTY OF THE HARWIN GROUP AND MUST NOT BE DISCLOSED, LOANED, COPIED OR USED FOR MANUFACTURING, TENDERING OR FOR ANY OTHER PURPOSE WITHOUT THEIR WRITTEN PERMISSION.

TOLERANCES
~~X. = ±1mm~~
~~X.X = ±0.25mm~~
~~X.XX = ±0.10mm~~
~~X.XXX = ±0.01mm~~
ANGLES = ±5°
UNLESS STATED

MATERIAL:
SEE ABOVE
FINISH:
SEE ABOVE
S/AREA: mm²

TITLE:
2.00mm PITCH DIL VERTICAL PIN HEADER ASSEMBLY
DRAWING NUMBER:
M22-252XXXX
SHT 2 OF 2