

# Customer Information Sheet

DRAWING No.: M22-634XX42

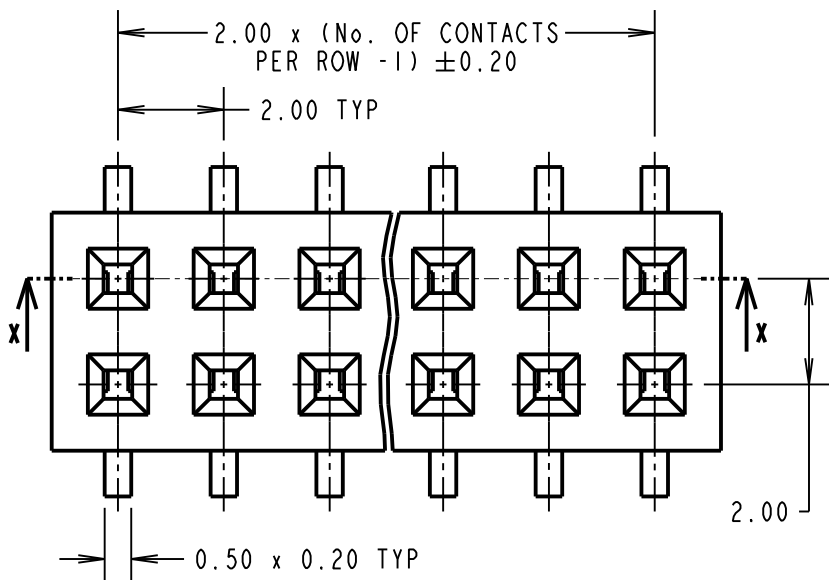
IF IN DOUBT - ASK



NOT TO SCALE

THIRD ANGLE PROJECTION

ALL DIMENSIONS IN mm



**SPECIFICATIONS:**

**MATERIAL:**

MOULDING = PA6T, UL94V-0, BLACK  
CONTACT = PHOSPHOR BRONZE

**FINISH:**

NICKEL ALL OVER, 100% TIN ON TAILS,  
GOLD FLASH ON CONTACT AREA.

**ELECTRICAL:**

CURRENT RATING = 2A  
INSULATION RESISTANCE = 1000 MΩ MIN.  
CONTACT RESISTANCE = 20mΩ MAX.  
VOLTAGE PROOF = 500V AC

**MECHANICAL:**

INSERTION FORCE = 1.96N MAX  
WITHDRAWAL FORCE = 0.20N MIN.  
DURABILITY = 300 CYCLES

**ENVIRONMENTAL:**

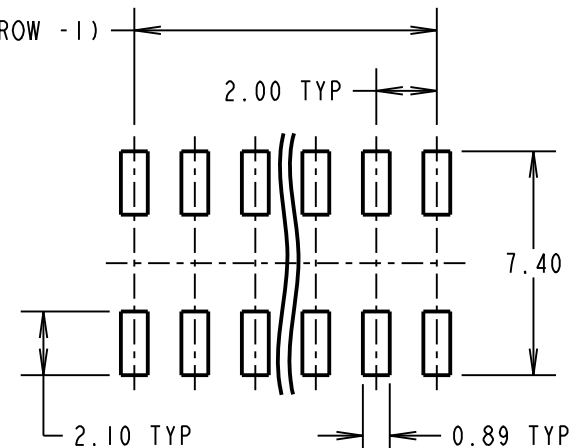
OPERATING TEMPERATURE = -40°C TO +105°C

**PACKING:**

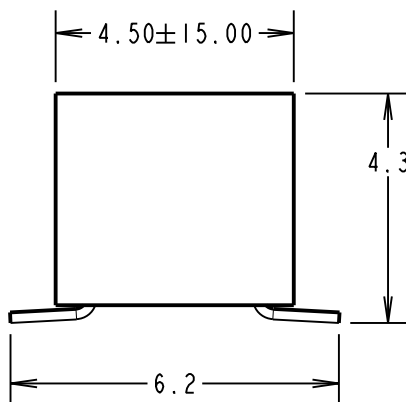
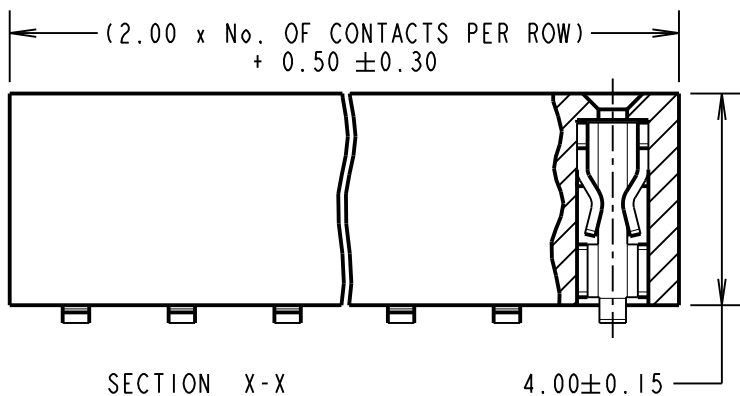
TUBE

FOR COMPLETE MECHANICAL/ELECTRICAL SPECIFICATION,  
SEE COMPONENT SPECIFICATION C018XX (LATEST ISSUE)

2.00 x (No. OF CONTACTS PER ROW - 1)



RECOMMENDED  
PAD LAYOUT  
TOLERANCE = ±0.05



**NOTES:**

1. COPLANARITY OF CONTACTS TO BE 0.10mm MAX.

ORDER CODE:

**M22-634XX42**

No. OF CONTACTS PER ROW:  
03 TO 25

FINISH:  
42 = SELECTIVE GOLD + 100% TIN

SB	13	05.11.12	11735
NAME	ISS.	DATE	C/NOTE
APPROVED:		S.BENNETT	
CHECKED:		S.FLOWER	
DRAWN:		W.J.BOURNE	
CUSTOMER REF.:			
ASSEMBLY DRG:			

**HARWIN**

www.harwin.com  
technical@harwin.com

THIS DRAWING AND ANY  
INFORMATION OR DESCRIPTIVE  
MATTER SET OUT HEREON ARE  
CONFIDENTIAL AND COPYRIGHT  
PROPERTY OF THE HARWIN  
GROUP AND MUST NOT BE  
DISCLOSED, LOANED, COPIED  
OR USED FOR MANUFACTURING,  
TENDERING OR FOR ANY  
OTHER PURPOSE WITHOUT  
THEIR WRITTEN PERMISSION.

**TOLERANCES**

X. = ±1mm  
X.X = ±0.25mm  
X.XX = ±0.10mm  
X.XXX = ±0.01mm  
ANGLES = ±5°  
UNLESS STATED

**MATERIAL:**

SEE ABOVE

FINISH: SEE ABOVE

S/AREA:

mm<sup>2</sup>

**TITLE:**

2mm PITCH DIL SMT  
LOW PROFILE SKT ASSEMBLY

DRAWING NUMBER:

**M22-634XX42**

SHT  
2 OF 2