

Customer Information Sheet

DRAWING No.: M80-400000F8-XX-XXX-00-000

SHEET 3 OF 4

IF IN DOUBT - ASK

(C)

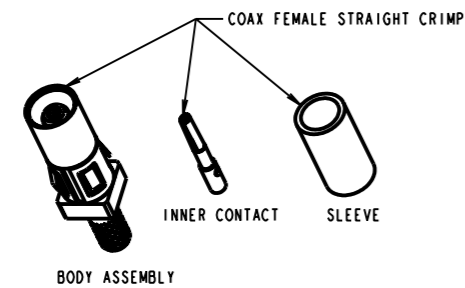
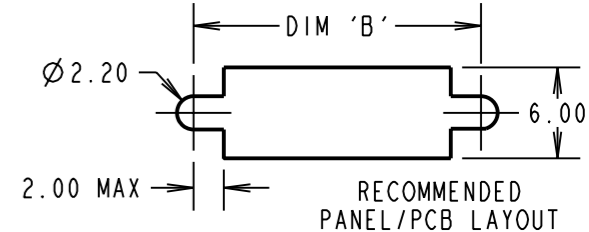
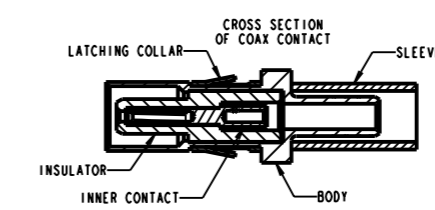
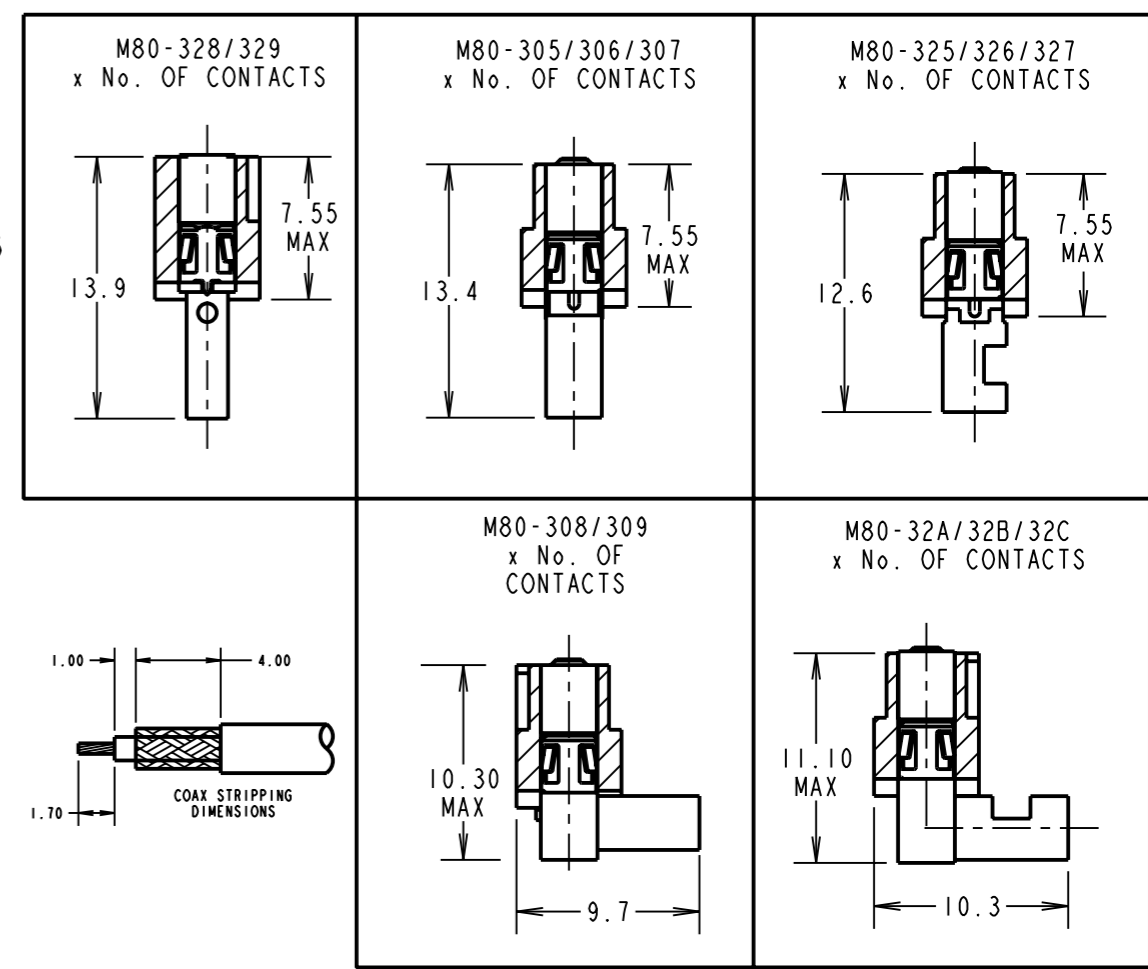
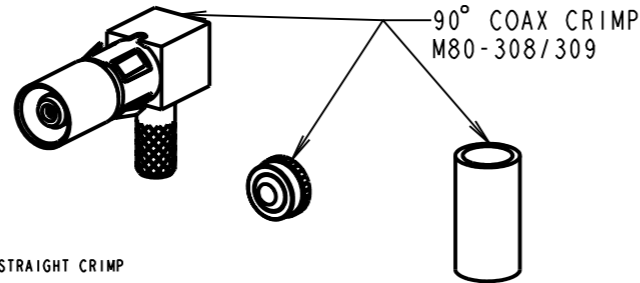
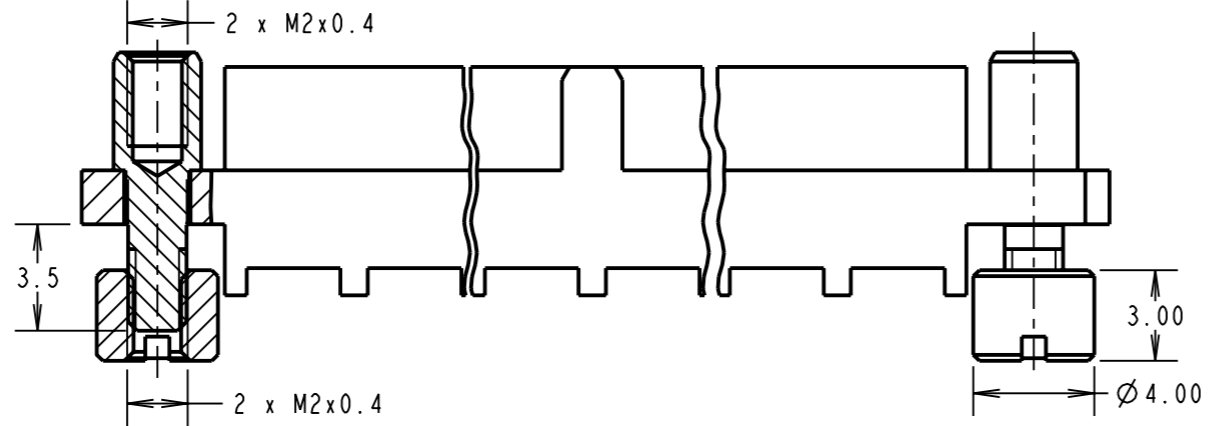
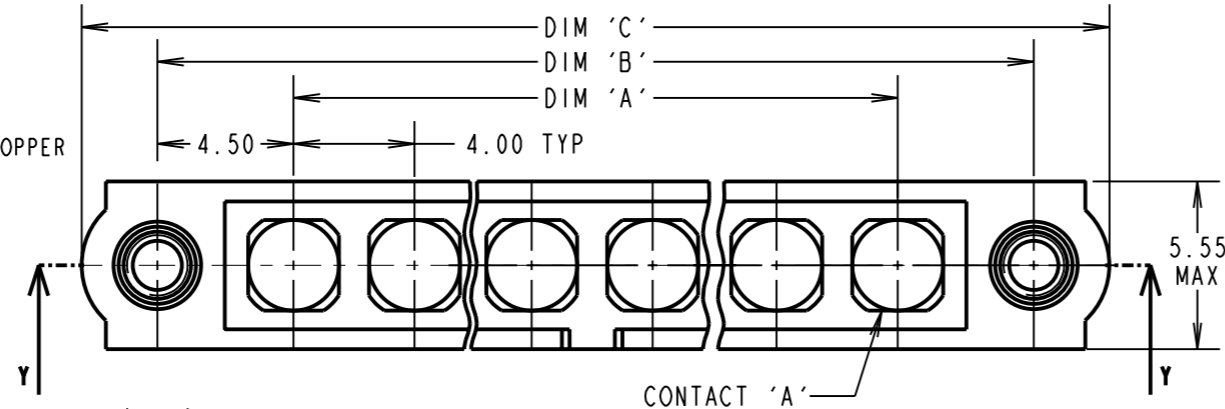
NOT TO SCALE

THIRD ANGLE PROJECTION

ALL DIMENSIONS IN mm

SPECIFICATIONS:

MATERIAL:
 MOULDING: GLASS FILLED PPS, UL94V-0, BLACK
POWER & COAX CONTACT:
 BODY = COPPER ALLOY
 INNER CONTACT, LATCHING COLLAR = BERYLLIUM COPPER
 INSULATOR = PTFE
 JACKSCREW, NUT: STAINLESS STEEL
FINISH:
 POWER & COAX CONTACT
 BODY, SLEEVE, INNER CONTACT = GOLD
 LATCHING COLLAR: = NICKEL
ELECTRICAL:
 WORKING VOLTAGE = 120V AC/DC
 VOLTAGE PROOF = 360V AC/DC
 INSULATION RESISTANCE = 100MΩ MIN
POWER CONTACT:
 CONTACT RESISTANCE = 6mΩ MAX
 CURRENT RATING = M80-325 20A MAX 12AWG
 M80-326 15A MAX 14AWG
 M80-327 10A MAX 16AWG
 M80-328 8A MAX 18AWG
 M80-329 5A MAX 20AWG
 M80-32A 20A MAX 12AWG
 M80-32B 15A MAX 14AWG
 M80-32C 10A MAX 16AWG
 CONTACT AS SPECIFIED
COAX CONTACT:
 FREQUENCY RANGE = 6GHz
 IMPEDANCE = 50 Ω
 V.S.W.R = 1.05 + (0.04 x FREQUENCY) GHz MAX
 CONTACT RESISTANCE 6 mΩ MAX
 INSULATION RESISTANCE = 10⁶MΩ @250V AC
 OPERATING VOLTAGE = 180V AC @ 500mA
 MAXIMUM VOLTAGE = 1000V AC
MECHANICAL:
 DURABILITY = 500 OPERATIONS
POWER & COAX CONTACT:
 INSERTION FORCE = 5N MAX
 WITHDRAWAL FORCE = 0.5N MIN
ENVIRONMENTAL:
 TEMPERATURE RANGE = -55°C TO +125°C
PACKING:
 BAG
 FOR COMPLETE SPECIFICATION SEE COMPONENT SPECIFICATION C005XX (LATEST ISSUE)



ORDER CODE:
M80-400000F8-XX-XXX-00-000

TOTAL No. OF CONTACTS _____
 02 TO 12

SPECIAL CONTACTS

- 305 = COAX CONTACT CRIMP 2.0mm M80-305
- 306 = COAX CONTACT CRIMP 2.4mm M80-306
- 307 = COAX CONTACT CRIMP 2.7mm M80-307
- 308 = 90° COAX CONTACT CRIMP 2.0mm M80-308
- 309 = 90° COAX CONTACT CRIMP 2.7mm M80-309
- 325 = POWER CONTACT SOLDER 12AWG M80-325
- 326 = POWER CONTACT SOLDER 14AWG M80-326
- 327 = POWER CONTACT SOLDER 16AWG M80-327
- 328 = POWER CONTACT CRIMP/SOLDER 18AWG M80-328
- 329 = POWER CONTACT CRIMP/SOLDER 20AWG M80-329
- 32A = 90° POWER CONTACT SOLDER 12AWG M80-32A
- 32B = 90° POWER CONTACT SOLDER 14AWG M80-32B
- 32C = 90° POWER CONTACT SOLDER 16AWG M80-32C

- NOTES:**
- CONNECTORS ARE SUPPLIED WITH CONTACTS LOOSE.
 - COAX CONTACT IS SUPPLIED AS A KIT OF PARTS: BODY, INSULATOR AND LATCHING COLLAR ARE PRE-ASSEMBLED AND SLEEVE AND INNER CONTACT ARE SEPARATE.
 - FOR EXTRA POWER CONTACTS, USE PART NUMBER M80-325/326/327/328/329/32A/32B/32C. FOR EXTRA COAX CONTACTS, USE PART NUMBER M80-305/306/307/308/309
 - RECOMMENDED HAND CRIMP TOOL FOR COAX INNER CONTACT = Z80-292 WITH POSITIONER Z80-291 AND RECOMMENDED HAND CRIMP TOOL AND DIE SET FOR COAX SLEEVE = Z80-293.
 - RECOMMENDED HAND CRIMP TOOL FOR CONTACTS M80-328/329 = Z80-294 AND POSITIONER Z80-295.
 - POWER AND COAX CONTACT EXTRACTION TOOL = Z80-290
 - INSTRUCTION SHEETS ARE AVAILABLE.
 - RECOMMENDED PANEL/PCB THICKNESS = 1.3 - 1.6mm.

DIMENSION	CALCULATION
DIM 'A'	4 x No. OF CONTACTS - 4.00
DIM 'B'	4 x No. OF CONTACTS + 5.00
DIM 'C'	4 x No. OF CONTACTS + 10.00

EXAMPLE 1: CONNECTOR WITH 08 COAX CONTACTS,
 M80-400000F8-08-305-00-000
 DIM 'A' = 28.00mm, DIM 'B' = 37.00mm, DIM 'C' = 42.00mm
 DIM 'D' = 13.4mm

EXAMPLE 2: CONNECTOR WITH 10 POWER CONTACTS,
 M80-400000F8-10-325-00-000
 DIM 'A' = 36.00mm, DIM 'B' = 45.00mm, DIM 'C' = 50.00mm
 DIM 'E' = 12.7mm

HARWIN

HARWIN USA TEL: +603 893 5376 FAX: +603 893 5396 mis@harwin.com	HARWIN Europe (UK) TEL: +023 9231 4545 FAX: +023 9231 4590 mis@harwin.co.uk	HARWIN Asia TEL: +65 6 779 4909 FAX: +65 6 779 3868 mis@harwin.com.sg
--	--	--

THIS DRAWING AND ANY INFORMATION OR DESCRIPTIVE MATTER SET OUT HEREON ARE CONFIDENTIAL AND COPYRIGHT PROPERTY OF THE HARWIN GROUP AND MUST NOT BE DISCLOSED, LOANED, COPIED OR USED FOR MANUFACTURING, TENDERING OR FOR ANY OTHER PURPOSE WITHOUT THEIR WRITTEN PERMISSION.

TOLERANCES
 X. = ±1mm
 X.X = ±0.25mm
 X.XX = ±0.10mm
 X.XXX = ±0.01mm
 ANGLES = ±5°
 UNLESS STATED

MATERIAL:
 SEE ABOVE
FINISH: SEE ABOVE
S/AREA: mm²

TITLE: DATAMATE MIX-TEK FEMALE ASSEMBLY WITH BOARDMOUNT JACKSCREWS
DRAWING NUMBER: M80-400000F8-XX-XXX-00-000
 SHT 3 OF 4

SB	2	26.05.11	11275
NAME	ISS.	DATE	C/NOTE
APPROVED: S.BENNETT			
CHECKED: S.FLOWER			
DRAWN: R.ADDE			
CUSTOMER REF.:			
ASSEMBLY DRG:			

Customer Information Sheet

DRAWING No.: M80-400000F8-XX-XXX-00-000

SHEET 4 OF 4

IF IN DOUBT - ASK

©

NOT TO SCALE

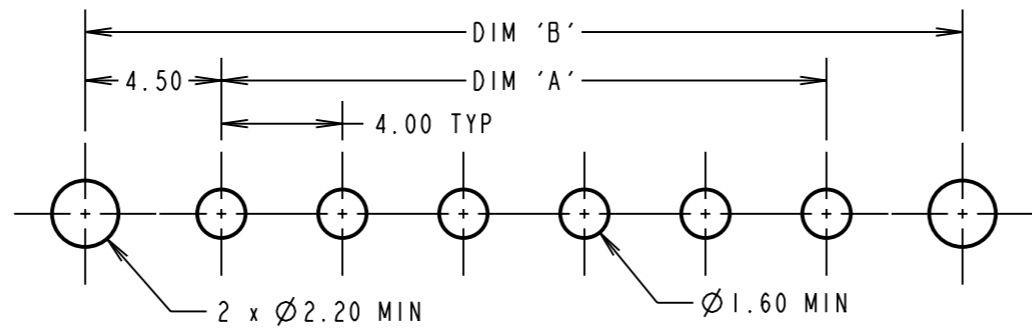
THIRD ANGLE PROJECTION

ALL DIMENSIONS IN mm

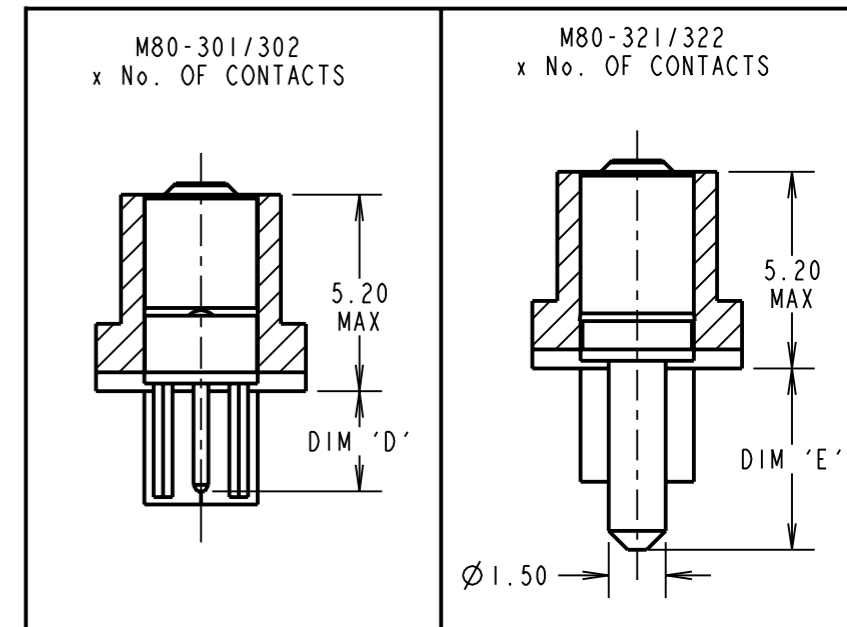
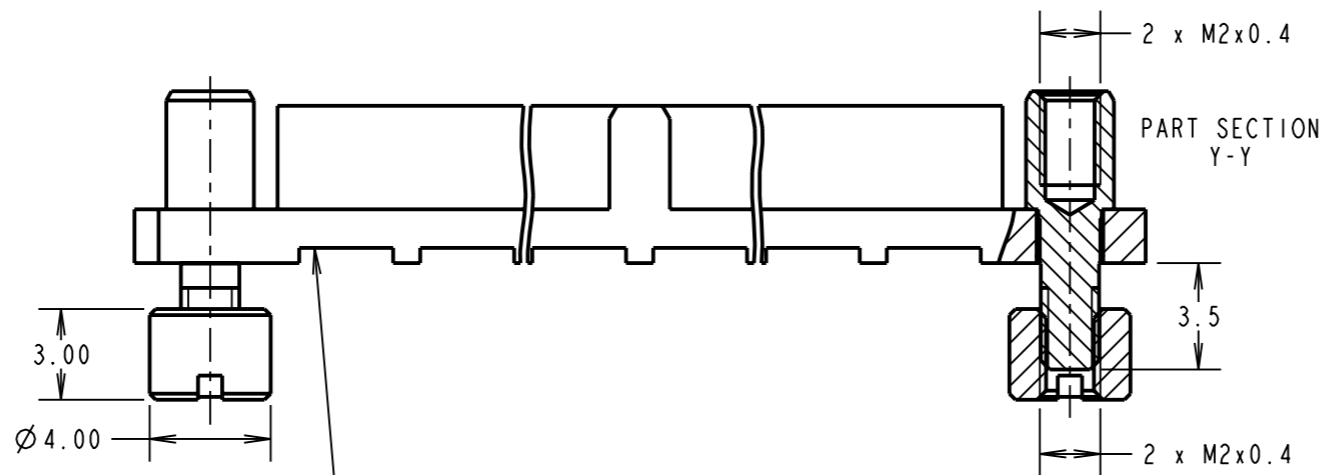
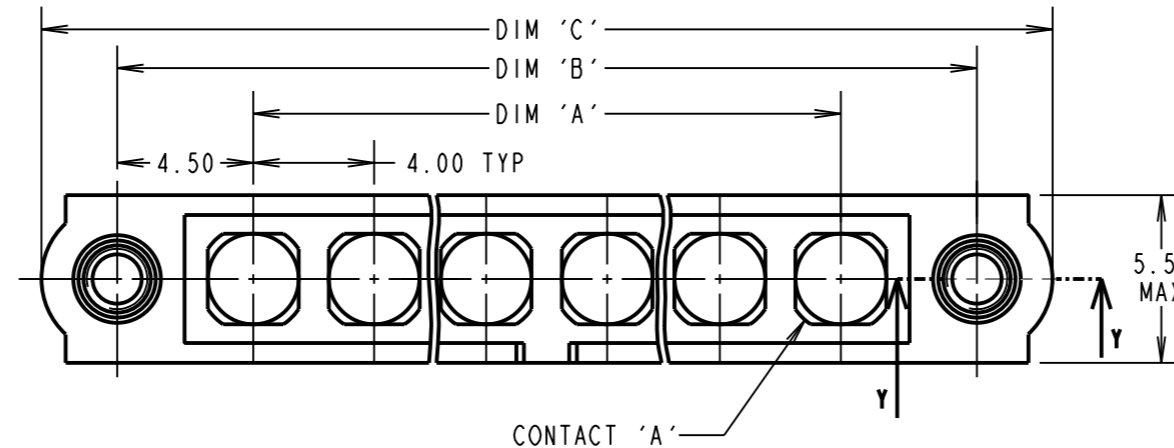
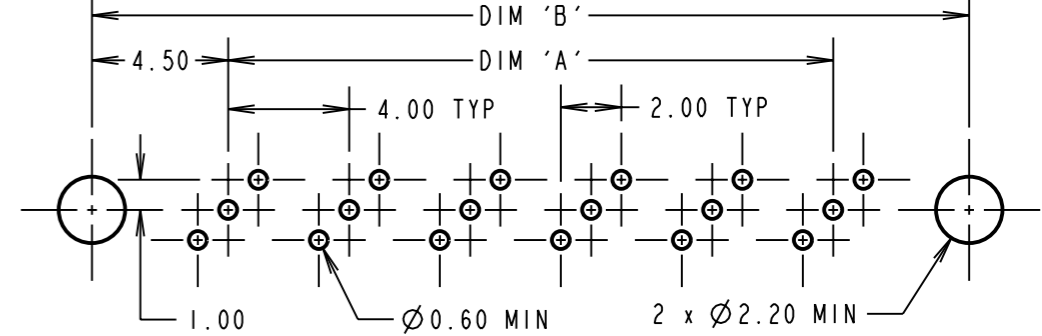
SPECIFICATIONS:

MATERIAL:
 MOULDING: GLASS FILLED PPS, UL94V-0, BLACK
POWER & COAX CONTACT:
 BODY = COPPER ALLOY
 INNER CONTACT = BERYLLIUM COPPER
 INSULATOR = PTFE
 JACKSCREW, NUT: STAINLESS STEEL
FINISH:
 POWER & COAX CONTACT
 BODY, SLEEVE, INNER CONTACT = GOLD
ELECTRICAL:
 WORKING VOLTAGE = 120V AC/DC
 VOLTAGE PROOF = 360V AC/DC
 INSULATION RESISTANCE = 100MΩ MIN
POWER CONTACT:
 CONTACT RESISTANCE = 6mΩ MAX
 CURRENT RATING = 20A MAX
COAX CONTACT:
 FREQUENCY RANGE = 6GHz
 IMPEDANCE = 50 Ω
 V.S.W.R = 1.05 + (0.04 x FREQUENCY) GHz MAX
 CONTACT RESISTANCE 6 mΩ MAX
 INSULATION RESISTANCE = 10⁶MΩ @250V AC
 OPERATING VOLTAGE = 180V AC @ 500mA
 MAXIMUM VOLTAGE = 1000V AC
MECHANICAL:
 DURABILITY = 500 OPERATIONS
POWER & COAX CONTACT:
 INSERTION FORCE = 5N MAX
 WITHDRAWAL FORCE = 0.5N MIN
ENVIRONMENTAL:
 TEMPERATURE RANGE = -55°C TO +125°C
PACKING:
 TUBE
 FOR COMPLETE SPECIFICATION SEE COMPONENT SPECIFICATION C005XX (LATEST ISSUE)

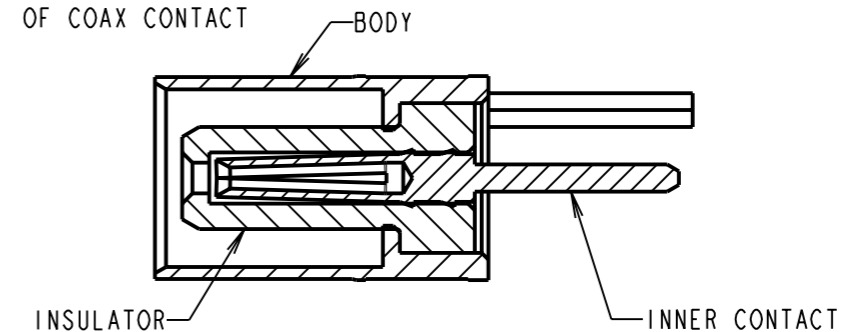
RECOMMENDED PCB LAYOUT FOR POWER CONTACTS



RECOMMENDED PCB LAYOUT FOR COAX CONTACTS



CROSS-SECTION OF COAX CONTACT



DIMENSION	CALCULATION
DIM 'A'	4 x No. OF CONTACTS - 4.00
DIM 'B'	4 x No. OF CONTACTS + 5.00
DIM 'C'	4 x No. OF CONTACTS + 10.00
DIM 'D'	M80-301 = 3.00mm, M80-302 = 4.50mm
DIM 'E'	M80-321 = 3.50mm, M80-322 = 5.00mm

EXAMPLE 1: CONNECTOR WITH 08 COAX CONTACTS,
 M80-400000F8-08-301-00-000
 DIM 'A' = 28.00mm, DIM 'B' = 37.00mm, DIM 'C' = 42.00mm
 DIM 'D' = 3.00mm

EXAMPLE 2: CONNECTOR WITH 10 POWER CONTACTS,
 M80-400000F8-10-321-00-000
 DIM 'A' = 36.00mm, DIM 'B' = 45.00mm, DIM 'C' = 50.00mm
 DIM 'E' = 3.50mm

ORDER CODE:(PC TAIL CONTACTS ONLY)

M80-400000F8-XX-XXX-00-000

TOTAL No. OF CONTACTS _____
 02 TO 12

SPECIAL CONTACTS

301 = COAX CONTACT PC TAIL 3.0mm M80-301
 302 = COAX CONTACT PC TAIL 4.5mm M80-302
 321 = POWER CONTACT PC TAIL 3.5mm M80-321
 322 = POWER CONTACT PC TAIL 5.0mm M80-322

HARWIN

HARWIN USA
 TEL: 603 893 5376
 FAX: 603 893 5396
 mis@harwin.com

HARWIN Europe (UK)
 TEL: 023 9231 4545
 FAX: 023 9231 4590
 mis@harwin.co.uk

HARWIN Asia
 TEL: +65 6 779 4909
 FAX: +65 6 779 3868
 mis@harwin.com.sg

THIS DRAWING AND ANY INFORMATION OR DESCRIPTIVE MATTER SET OUT HEREON ARE CONFIDENTIAL AND COPYRIGHT PROPERTY OF THE HARWIN GROUP AND MUST NOT BE DISCLOSED, LOANED, COPIED OR USED FOR MANUFACTURING, TENDERING OR FOR ANY OTHER PURPOSE WITHOUT THEIR WRITTEN PERMISSION.

TOLERANCES
 X. = ±1mm
 X.X = ±0.25mm
 X.XX = ±0.10mm
 X.XXX = ±0.01mm
 ANGLES = ±5°
 UNLESS STATED

MATERIAL: SEE ABOVE
 FINISH: SEE ABOVE
 S/AREA: mm²

TITLE: DATAMATE MIX-TEK FEMALE ASSEMBLY WITH BOARDMOUNT JACKSCREWS
 DRAWING NUMBER: **M80-400000F8-XX-XXX-00-000**

SB	2	26.05.11	11275
NAME	ISS.	DATE	C/NOTE
APPROVED: S.BENNETT			
CHECKED: S.FLOWER			
DRAWN: R.ADDE			
CUSTOMER REF.:			
ASSEMBLY DRG:			