

Customer Information Sheet

DRAWING No.: M80-455XX98 SHT 2 OF 2

IF IN DOUBT - ASK



NOT TO SCALE

THIRD ANGLE PROJECTION

ALL DIMENSIONS IN mm

SPECIFICATION:

MATERIAL:

HOUSING = GLASS-FILLED POLYAMIDE 46,
UL94V-0, BLACK

JACKSCREW, CIRCLIP = STAINLESS STEEL

ELECTRICAL:

CURRENT RATING AT 25°C = 3.0A MAX

CURRENT RATING AT 85°C = 2.2A MAX

WORKING VOLTAGE = 120V AC/DC

VOLTAGE PROOF = 360V AC/DC

CONTACT RESISTANCE = 25 mΩ MAX

INSULATION RESISTANCE = 100 MΩ MIN

MECHANICAL:

DURABILITY = 400 OPERATIONS

INSERTION FORCE = 2.8N MAX

WITHDRAWAL FORCE = 0.2N MIN

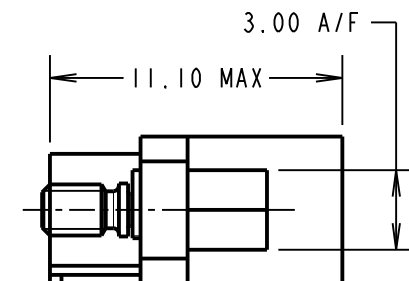
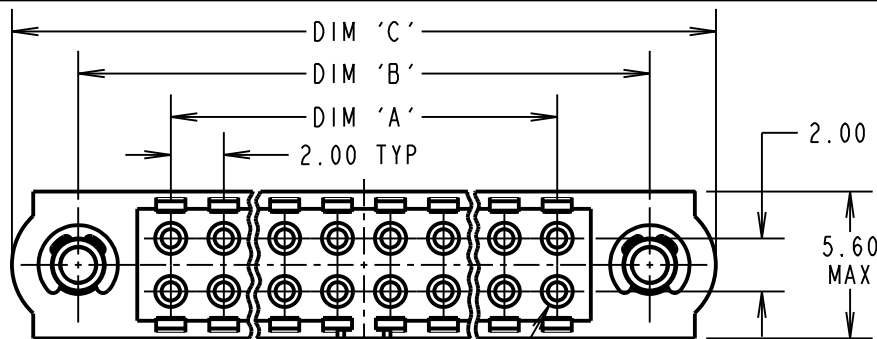
ENVIRONMENTAL:

TEMPERATURE RANGE = -55°C TO +125°C

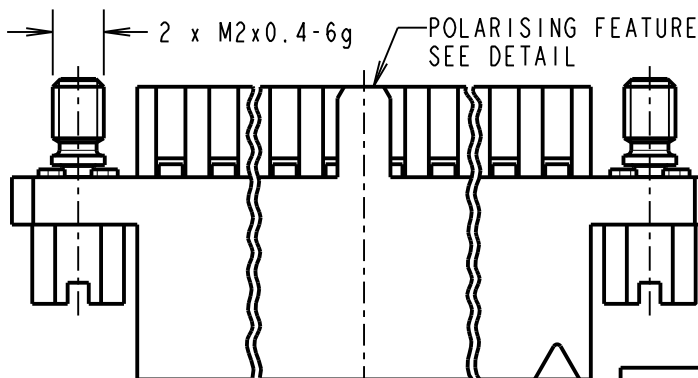
PACKING:

BAG

FOR COMPLETE SPECIFICATION, SEE COMPONENT SPECIFICATION C040XX (LATEST ISSUE)



CONTACT POSITION No. 1



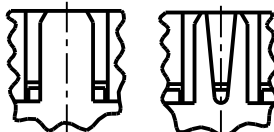
NOTES:

1. POLARISING FEATURE STYLE DEPENDANT ON NUMBER OF CONTACT POSITIONS.
2. HOUSING TO BE USED WITH DATAMATE TRIO-TEK CRIMP CONTACTS:
M80-25300XX = 24-22 AWG REELED
M80-25400XX = 28-26 AWG REELED
M80-28300XX = 24-22 AWG LOOSE
M80-28400XX = 28-26 AWG LOOSE
3. THE SPECIFICATION APPLIES WHEN HOUSING IS USED WITH THE ABOVE CONTACTS.
4. CONTACT EXTRACTION TOOL = Z80-258.
5. INSTRUCTION SHEETS ARE AVAILABLE.

DIMENSION	CALCULATION
DIM 'A'	TOTAL No. OF CONTACT POSITIONS - 2
DIM 'B'	TOTAL No. OF CONTACT POSITIONS + 5
DIM 'C'	TOTAL No. OF CONTACT POSITIONS + 10
EXAMPLE: CONNECTOR WITH 20 CONTACT POSITIONS, M80-4552098	
DIM 'A' = 18.00mm, DIM 'B' = 25.00mm, DIM 'C' = 30.00mm	

POLARISING FEATURE
DETAIL
SEE NOTE 1

STYLE A STYLE B



ORDER CODE:

M80-455XX98

TOTAL No. OF CONTACT POSITIONS
04, 06, 08, 10, 12, 14, 20,
26, 28, 34, 42, 50

PLEASE CONTACT
datamate@harwin.com
FOR CURRENT AVAILABILITY

SB	3	30.06.11	11346
NAME	ISS.	DATE	C/NOTE
APPROVED:		S.BENNETT	
CHECKED:		M.G.PLESTED	
DRAWN:		B. M. KENT	
CUSTOMER REF.:			
ASSEMBLY DRG:			

HARWIN

HARWIN USA TEL: 603 893 5376 FAX: 603 893 5396 mis@harwin.com	HARWIN Europe (UK) TEL: 023 9231 4545 FAX: 023 9231 4590 mis@harwin.co.uk	HARWIN Asia TEL: +65 6 779 4909 FAX: +65 6 779 3868 mis@harwin.com.sg
--	--	--

THIS DRAWING AND ANY INFORMATION OR DESCRIPTIVE MATTER SET OUT HEREON ARE CONFIDENTIAL AND COPYRIGHT PROPERTY OF THE HARWIN GROUP AND MUST NOT BE DISCLOSED, LOANED, COPIED OR USED FOR MANUFACTURING, TENDERING OR FOR ANY OTHER PURPOSE WITHOUT THEIR WRITTEN PERMISSION.

TOLERANCES
X. = ±1mm
X.X = ±0.25mm
X.XX = ±0.10mm
X.XXX = ±0.01mm
ANGLES = ±5°
UNLESS STATED

MATERIAL:
SEE ABOVE
FINISH:
S/AREA: mm²

TITLE: DATAMATE TRIO-TEK
FEMALE CRIMP HOUSING
WITH SLOTTED JACKSCREW
DRAWING NUMBER:
M80-455XX98

SHT
2 OF 2