

Customer Information Sheet

DRAWING No.: M80-850XXXX

SHEET 2 OF 2

IF IN DOUBT - ASK

©

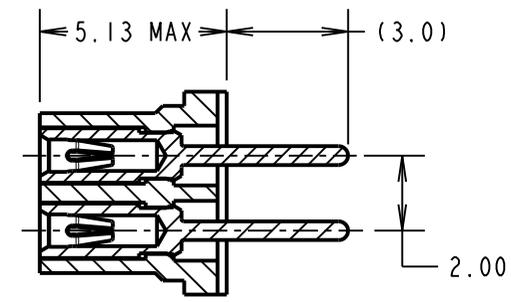
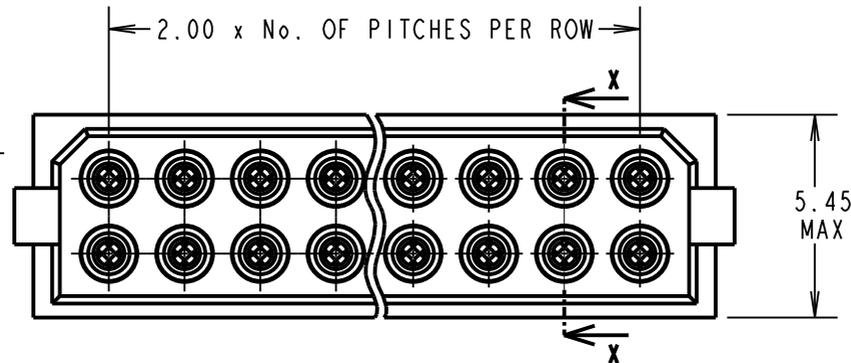
NOT TO SCALE

THIRD ANGLE PROJECTION

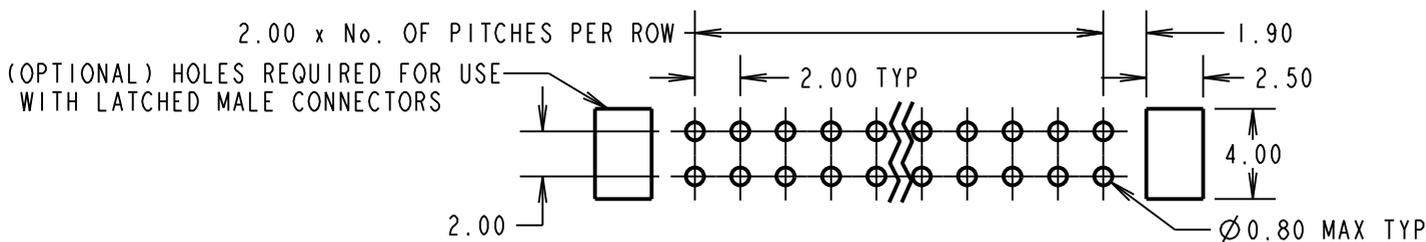
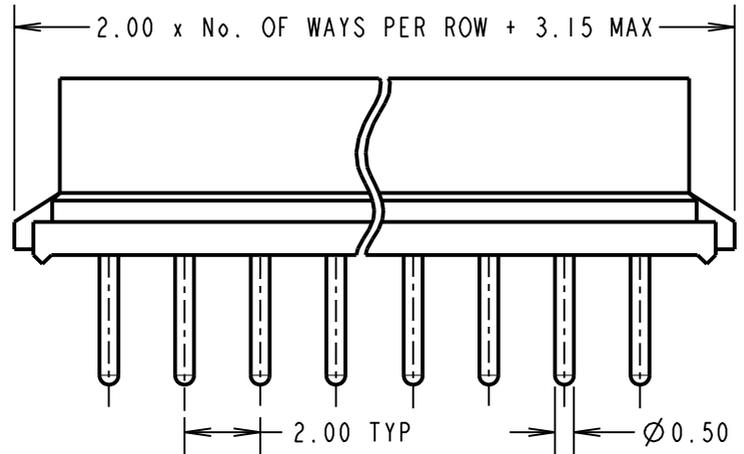
ALL DIMENSIONS IN mm

SPECIFICATIONS:

MATERIAL:
 MOULDING = POLYAMIDE 46 UL94V-0, BLACK
 CONTACTS = BERYLLIUM COPPER
FINISH:
 CONTACTS (ALL OVER NICKEL):
 01 = 0.3µ GOLD CLIP, 3.5µ 90/10 TIN/LEAD SHELL
 45 = 0.30µ GOLD CLIP, 0.28µ GOLD SHELL
 42 = 0.30µ GOLD CLIP, 4.0µ 100% TIN SHELL
ELECTRICAL:
 CURRENT RATING (25°C) = 3.0A MAX.
 CURRENT RATING (85°C) = 2.2A MAX.
 WORKING VOLTAGE = 800V AC/DC
 VOLTAGE PROOF = 1200V AC/DC
CONTACT RESISTANCE:
 INITIAL = 20 mΩ MAX.
 AFTER CONDITIONING = 25 mΩ MAX.
INSULATION RESISTANCE:
 INITIAL = 1000 MΩ MIN.
 AFTER CONDITIONING = 100 MΩ MIN.
MECHANICAL:
 DURABILITY = 500 OPERATIONS
 INSERTION FORCE (∅0.5mm GAUGE) = 2.8N MAX
 WITHDRAWAL FORCE (∅0.5mm GAUGE) = 0.2N MIN
ENVIRONMENTAL:
 TEMPERATURE RANGE = -55°C TO +125°C
PACKING:
 TUBE
 FOR COMPLETE SPECIFICATION, SEE COMPONENT SPECIFICATION C005XX (LATEST ISSUE)



SECTION X-X



ORDER CODE:
M80-850XXXX
 TOTAL No. OF WAYS _____
 04, 06, 08, 10, 12, 14, 16,
 18, 20, 26, 34, 44
 FINISH: _____
 01 = TIN/LEAD SHELL, GOLD CLIP
 45 = GOLD SHELL, GOLD CLIP
 42 = 100% TIN SHELL, GOLD CLIP

SB	10	02.03.12	11672
NAME	ISS.	DATE	C/NOTE
APPROVED:		S.BENNETT	
CHECKED:		S.FLOWER	
DRAWN:		I. SANDY	
CUSTOMER REF.:			
ASSEMBLY DRG:			



www.harwin.com
 technical@harwin.com

THIS DRAWING AND ANY INFORMATION OR DESCRIPTIVE MATTER SET OUT HEREON ARE CONFIDENTIAL AND COPYRIGHT PROPERTY OF THE HARWIN GROUP AND MUST NOT BE DISCLOSED, LOANED, COPIED OR USED FOR MANUFACTURING, TENDERING OR FOR ANY OTHER PURPOSE WITHOUT THEIR WRITTEN PERMISSION.

TOLERANCES
 X. = ±1mm
 X.X = ±0.25mm
 X.XX = ±0.10mm
 X.XXX = ±0.01mm
 ANGLES = ±5°
 UNLESS STATED

MATERIAL:
 SEE ABOVE
FINISH: SEE ABOVE
S/AREA: mm²

TITLE: DATAMATE DIL VERTICAL PC TAIL SOCKET ASSEMBLY (RoHS)
DRAWING NUMBER: M80-850XXXX
 SHT 2 OF 2