

CLA

LED Light Bar



CLA-CN (Natural White: 4800K)

LED



IP66/67/69K

More than a diffusion LED light bar, it can be used in places like the food-processing industry with its protection rating of "IP69K", which can endure high-pressurized hot water washing.

- It is 30% brighter than the previous model. (Model CLB-N 300lx -> 400 lx/0.5 m. CLA3S Model Comparison)
- Attained the IP69K standard, which is a demand for industries which requires 80 °C of hot-water jet-stream washing, such as for meat / food processing, beverages and medicine manufacturing to handle the waterproofing performance. (The industry's first based on corporate investigation) It also corresponds to IP66/67 standards.
- The product also suppresses heat radiation temperature to 40 degrees or less (34% reduction in comparison to a 20W fluorescent light), and eases the burden for environmental installation.
- The product lineup includes seven sizes (100-1500mm), three colors (Daylight, Natural White, Amber), and four types of attachments, including a magnet attachment. It can adapt to various scenes.
- The operating temperature limit of -40 to +60 °C allows the possibility for installation in a sub-freezing temperature environment, such as a cold storage warehouse.
- Constructed with strong polycarbonate resin, which is resistant to shock.
- The use of the SD card can allow changing messages while out in the field.
- Corresponds to Europe's RoHS Directive. And obtained ECOLAB certification.
- Conforms to the CE requirements.
- UL Listed (File No. E306141).

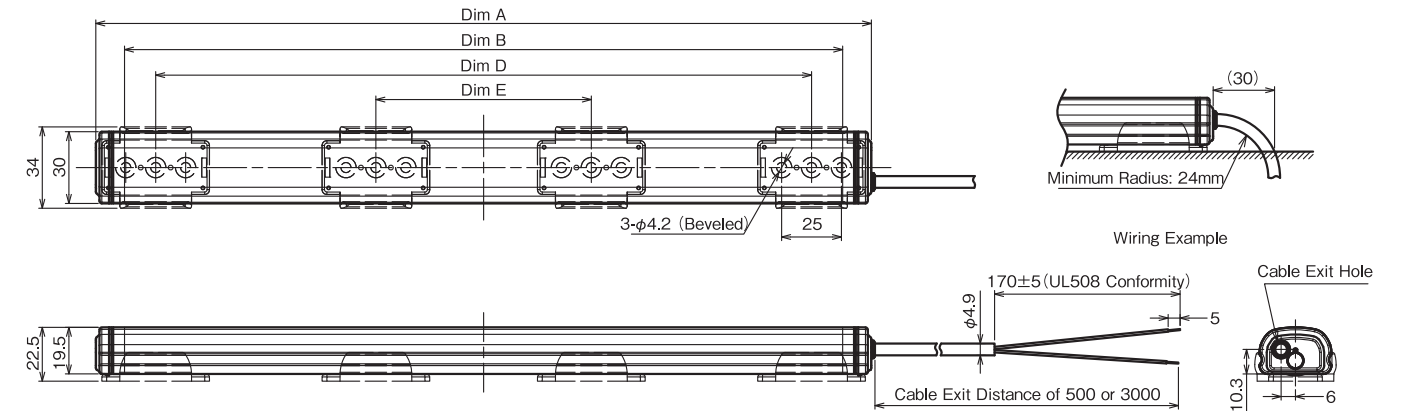
Luminous Color

A 6800K daylightlight light bar at a distance of 50 cm from the center of irradiation has measured a maximum brightness of 400lx.

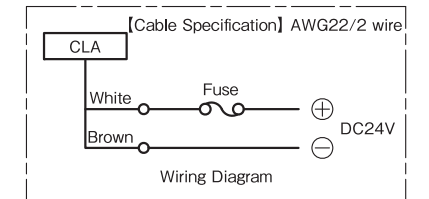


With a high-intensity lumination, its suitable for applications such as lighting processing machinery workspace, for lighting up a video inspection system to light up more details, etc.

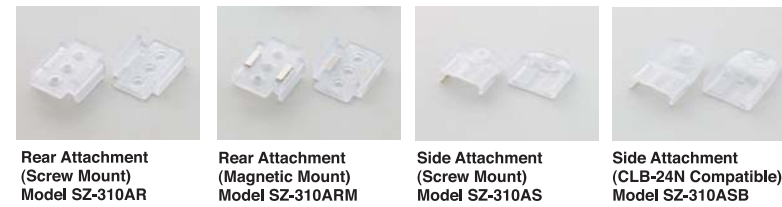
Dimensions Unit: mm



Model Name	Dim A Total Length	Dim B Lighting Area	Dim D Mounting Pitch	Dim E	Standard Bracket SZ-310AR
CLA1S-	124	100	74	-	2 pcs.
CLA2S-	224	200	174	-	2 pcs.
CLA3S-	324	300	274	-	2 pcs.
CLA6S-	624	600	574	-	2 pcs.
CLA9S-	924	900	874	290	4 pcs.
CLA12S-	1224	1200	1174	390	4 pcs.
CLA15S-	1524	1500	1474	490	4 pcs.



Options



How to order

CLA1S-24-CD-30	
Light Bar Length	Cable Length
1 : 100mm	No Code : 0.5m
2 : 200mm	30 : 3.0m
3 : 300mm	
6 : 600mm	Luminous Color
9 : 900mm	-CD (Daylight)
12 : 1,200mm	-CN (Natural White)
15 : 1,500mm	-Y (Amber)

※ -Y is only available in 100mm and 300mm lengths.

CLA Type

Model	Luminous Color	Rated Voltage	Operating Voltage Range	Rated Current Consumption	Center Radiation (lx/50cm)	Main Body Material	Operating Temperature Range	Mounting Direction	Protection Rating	Vibration Resistance	Mass
CLA1S-24-CD	Daylight	DC 24V (Polarized)	DC24V±10%	104mA	140	Body: Polycarbonate	-40°C to +60°C (RH 90% or less No Condensation)	Any Direction (Indoor Use)	IP66/67/69K	19.6m/s ²	80 g
CLA1S-24-CN	Natural White				78						
CLA1S-24-Y	Amber				78						
CLA2S-24-CD	Daylight			208mA	270						130 g
CLA2S-24-CN	Natural White				270						
CLA3S-24-CD	Daylight			240mA	400						180 g
CLA3S-24-CN	Natural White				220						
CLA3S-24-Y	Amber				220						
CLA6S-24-CD	Daylight			480mA	650						340 g
CLA6S-24-CN	Natural White				650						
CLA9S-24-CD	Daylight			720mA	810						500 g
CLA9S-24-CN	Natural White				810						
CLA12S-24-CD	Daylight			960mA	890						660 g
CLA12S-24-CN	Natural White				890						
CLA15S-24-CD	Daylight			1,200mA	945						820 g
CLA15S-24-CN	Natural White	945									