

LU7

Signal Tower



LED



90dB at 1m
(FB type)

Electronic Sound 2
(FB type)

φ70

IP65

NPN/PNP
Open collector



Versatile modular Signal Tower featuring easy assembly and wiring designed for every need.

- PATLITE's Exclusive Hybrid Prism Cut Lens: For enhanced visibility from any direction and distance.
- FB type: 2 selectable built-in alarms with adjustable volume up to 90dB at 1m.
- Installation: Direct mount (Pole mount with optional parts).
- Color-coordinated Terminal Block: Corresponds to the lens colors for quick wiring verification in the base unit.
- Interchangeable LED module: No re-wiring even after installation.
- Lens: Superior impact and heat resistant polycarbonate resin for superior durability and light transmission.
- Available Colors: Red, Amber, Green, Blue, Clear/White.
- Conforms to the CE requirements (for 24V type).
- UL Listed (File No. E215660).

Available by Special Order

- Silver Color Body.

LED Module

Model	Color
LU7-E-R	Red
LU7-E-Y	Amber
LU7-E-G	Green
LU7-E-B	Blue
LU7-E-C	Clear/White



Base Module

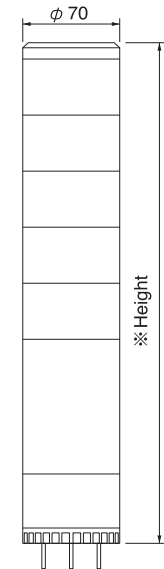
Model	Rated Voltage	Alarm / Flash
LU7-02	24V DC	-
LU7-02FB	24V DC	2 sounds / Flash
LU7-M2	90~250V AC	-
LU7-M2FB	90~250V AC	2 sounds / Flash

FB type: approx. 60 flashes per minute.



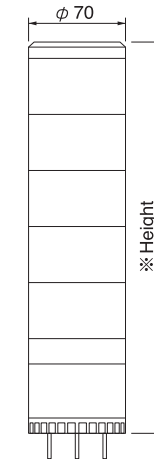
Dimensions

LU7 Standard Body



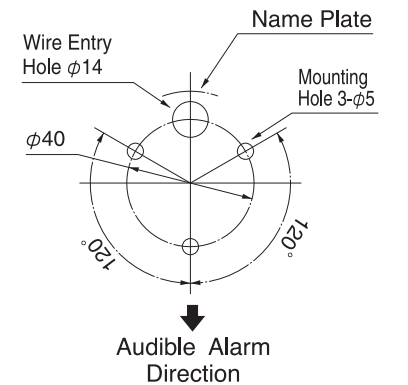
※Height(mm)	
1Light	: 211
2Lights	: 252
3Lights	: 293
4Lights	: 334
5Lights	: 375

LU7-02S Short Body



※Height(mm)	
1Light	: 118
2Lights	: 159
3Lights	: 200
4Lights	: 241
5Lights	: 282

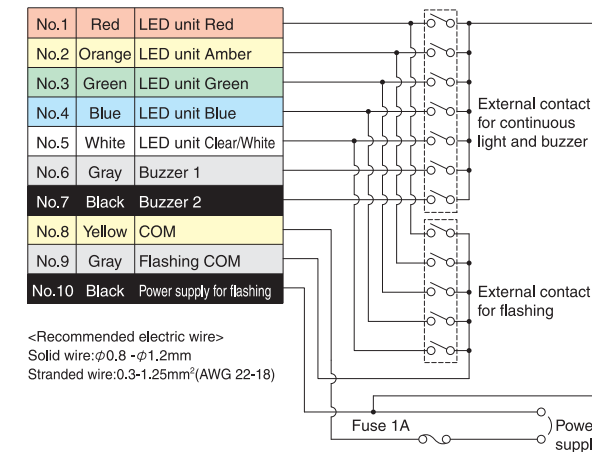
Mounting Dimensions



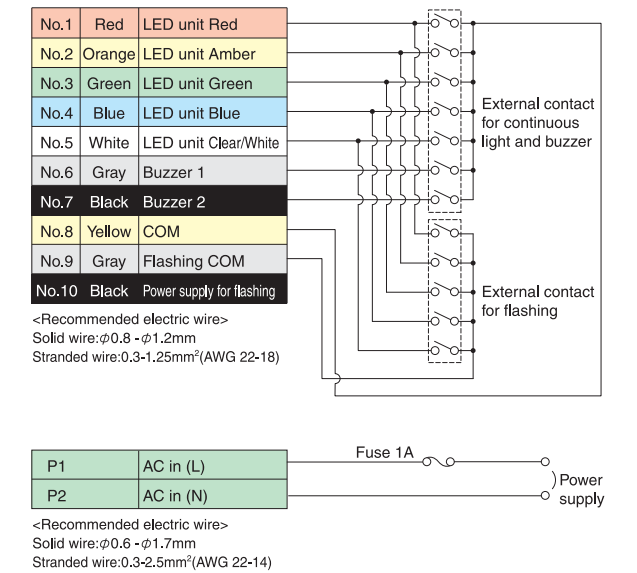
Wiring Diagram

Base Unit Wiring example

LU7-02FB 24V DC



LU7-M2FB 90-250V AC



LU7-02FB



LU7-M2FB



LED Units



Model	LU7-E-R	LU7-E-Y	LU7-E-G	LU7-E-B	LU7-E-C
Unit color	LED Unit RED	LED Unit AMBER	LED Unit GREEN	LED Unit BLUE	LED Unit CLEAR/WHITE
Rated Voltage	24V DC				
Operating Voltage Range	Rated Voltage $\pm 10\%$ (21.6~26.4V)				
Current/Power Consumption	52mA/1.25W		42mA/1.0W		
Operating Temperature Range	-30°C ~ +60°C				
Mass	60g $\pm 10\%$				

※ Operates with all voltage base units LU7-02, LU7-02FB, LU7-M2 and LU7-M2FB listed below.

Base Units

Model	LU7-02S	LU7-02	LU7-02FB	LU7-M2	LU7-M2FB	Unit Color Variation
Rated Voltage	24V DC			90~250V AC (50/60Hz)		
Operating Voltage Range	Rated voltage $\pm 10\%$ (21.6~26.4V)			90~250V AC (50/60Hz)		
Buzzer	—		*Buzzer 1 **Buzzer 2	—		
Current Consumption	—		50 \pm 10mA ; 24 \pm 10mA	—		
Power Consumption	—		1.2 \pm 0.25W ; 0.58 \pm 0.25W	—		
Sound Level	—		Max: 90 \pm 5dB (at 1m) Min: 70dB or Less (at 1m)	—		
Flashing Cycle	—		60 \pm 12 flashes per minute	—		
Operating Temperature Range	-30°C ~ +60°C			-25°C ~ +55°C		
Mounting Direction	Upright, indoor only			Upright, indoor only		
Protection Rating	IP65			IP65		
Mass	150g $\pm 10\%$	250g $\pm 10\%$	280g $\pm 10\%$	310g $\pm 10\%$	340g $\pm 10\%$	
Open Collector	PNP/NPN			NPN		

※ *Buzzer 1:Continuous sound **Buzzer 2:Intermittent sound

[External Contact Capacity]

Voltage Specifications		24V DC	90~250V AC
LED Unit (1-Light)	Current Consumption	Red·Amber : 52mA	Green·Blue·Clear/White : 42mA
	Contact Capacity	Is ≥ 100 mA, Vs ≥ 35 V AC	
Buzzer	Current Consumption	50mA	
	Contact Capacity	Is ≥ 100 mA, Vs ≥ 35 V AC	
Power Supply	Current Consumption	360mA	40mA (250V) ~ 110mA (90V)
	Contact Capacity	Is ≥ 500 mA Vs ≥ 35 V AC	9A (90V) ~ 25A (250V) Vs ≥ 250 V AC

※ Is : Current Capacity Vs : Withstanding voltage

[External Contact Fuse]

Voltage	Fuse Rating
All models	250V 1A

※ Use a fuse conforming to the rated current of the machine of the installed product.
(Example: UL class J type fuse)

Optional Parts

Upper Bracket

SZ-50NPT
(For 1/2" NPT Pole)

SZ-50-U
Ivory White

SZ-50U-U
Silver Color

SZ-50K-U
Black

for U.S.A.

Pole

Steel Pole

Aluminum Pole

800mm : **POLE-800S21**
300mm : **POLE-300S21**
100mm : **POLE-100S21**

800mm : **POLE-800A21**
300mm : **POLE-300A21**
100mm : **POLE-100A21**

Adaptor

SZ-904

for U.S.A.

Wall Mount Bracket

SZ-018
Ivory White

SZ-018U
Silver Color

SZ-018K
Black

SZ-020
(For φ21.7mm Pole)

SZ-017
(For φ21.7mm Pole)

Mounting Dimensions

Max. Mounting Hole Size

Mounting Bracket

SZ-016A
(For φ21.7mm Pole)

SZ-70-B
(For φ21.7mm Aluminum Pole Only)

Pre-assembled

SZ-50T

SZ-50L

Mounting Hole 4-5.2x7

Pole Bottom Line

Ground Screw M4x12

Hexagon Nut

Mounting Hole 2-φ11

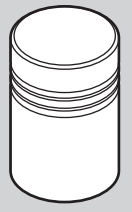
M22

Model	Upper Bracket	Pole	L Bracket	Bushing	Mounting Bracket
SZ-50T	ADC12	Steel	—	—	ADC12
SZ-50L	ADC12	Steel	SPHC	EPT	—

Model	Material
SZ-50-U	ADC12
SZ-50U-U	ADC12
SZ-50K-U	ADC12
SZ-50-NPT	Aluminum
POLE-□□S21	Steel
POLE-□□A21	Aluminum
SZ-016A	ADC12
SZ-904	Aluminum
SZ-70-B	ABS resin
SZ-017	ADC12
SZ-020	ABS resin


※ ADC12:Aluminum alloy die-cast SPHC:Hot rolled mild (sheet) steel EPT:Ethylene propylene rubber

Voice and Sound Module



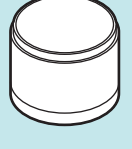
Model	LU7-V1
Type	Voice Synthesizer
Rated Voltage	DC24V
Power Consumption	3.5W
Weight	0.17kg

LED Units



Model	LU7-E-R	LU7-E-Y	LU7-E-G	LU7-E-B	LU7-E-C
Unit Color	●	●	●	●	○
Rated Voltage	24V DC				
Operating Voltage Range	Rated Voltage ± 10% (21.6 ~ 26.4V)				
Current/Power Consumption	52mA/1.25W		42mA/1.0W		
Operating Temperature Range	-30°C ~ +60°C				
Mass	60g ± 10%				

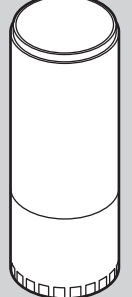
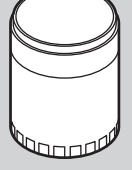
LED Strobe Module



Model	LU7-XE-R	LU7-XE-Y	LU7-XE-G	LU7-XE-B	LU7-XE-C
Unit Color	●	●	●	●	○
Rated Voltage	24V DC				
Power Consumption	290mA	290mA	140mA	270mA	280mA
Mass	0.07kg				

● RED ● AMBER ● GREEN ● BLUE ○ CLEAR/WHITE

BASE Units

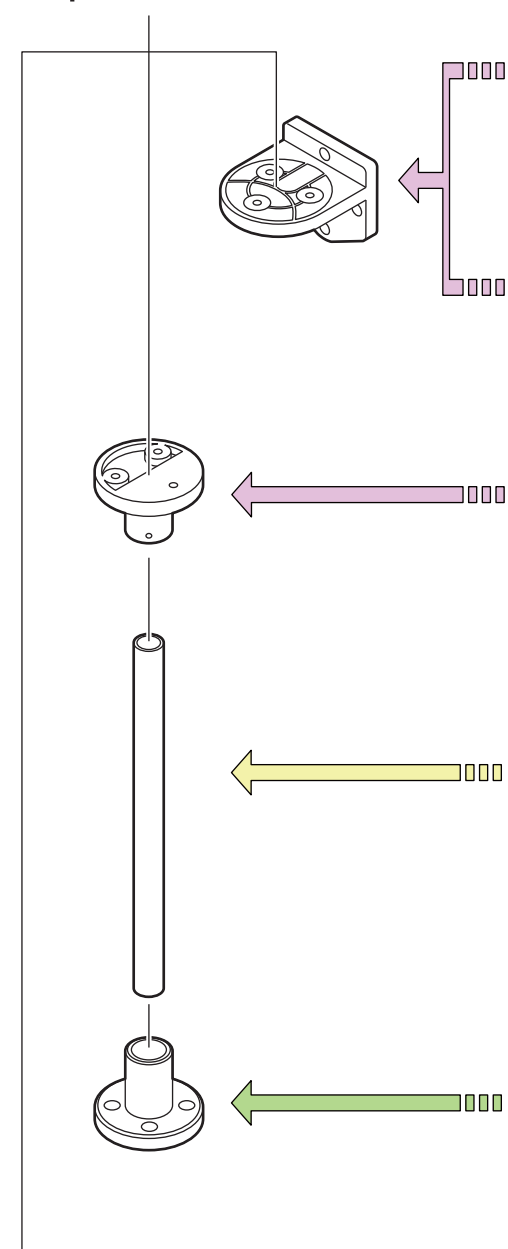



Model	LU7-02S	LU7-02	LU7-02FB	LU7-M2	LU7-M2FB
Color		○	●		
Standard Body/Short Body	Short	Standard		Standard	
Rated Voltage	24V DC			90~250V (50/60Hz)	
Operating Voltage Range	Rated voltage ± 10% (21.6 ~ 26.4V)			90~250V (50/60Hz)	
Buzzer	-		*Buzzer 1; *Buzzer 2	-	
Current Consumption	-		50 ± 10mA; 24 ± 10mA	-	
Power Consumption	-		1.2 ± 0.25W; 0.58 ± 0.25W	-	
Sound Level	-		Max: 90 ± 5dB (at 1m) Min: 70dB or Less (at 1m)	-	
Flashing Cycle	-		60 ± 12 flashes per minute	-	
Operating Temperature Range	-30°C ~ +60°C			-25°C ~ +55°C	
Mounting Direction	Upright, Indoor only			Upright, Indoor only	
Protection Rating	IP65			IP65	
Mass	150g ± 10%	250g ± 10%	280g ± 10%	310g ± 10%	340g ± 10%
Open Collector	PNP/NPN			NPN	

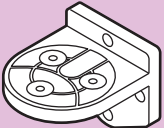
* Buzzer 1 : Continuous Sound **Buzzer 2 : Intermittent Sound

○ Ivory White ○ Silver Color (U) ● Black (K)

Optional Parts

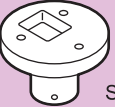


Wall Mount Bracket




Model	SZ-18	SZ-18U	SZ-18K
Color	Ivory White	Silver Color (U)	Black (K)

Upper Bracket




SZ-50NPT (For 1/2" NPT Pole)

Upper Bracket



Model	SZ-50-U	SZ-50U-U	SZ-50K-U
Color	Ivory White	Silver Color (U)	Black (K)

Pole

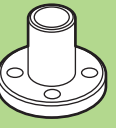


21mm

Steel Pole			
Model	POLE-800S21	POLE-300S21	POLE-100S21
Height	800mm	300mm	100mm

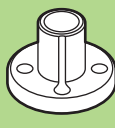
Aluminum Pole			
Model	POLE-800A21	POLE-300A21	POLE-100A21
Height	800mm	300mm	100mm

Mounting Bracket




SZ-016A (For φ21.7mm Pole)

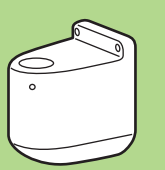
Wall Mount Bracket



SZ-70-B (For φ21.7mm Aluminium Pole Only)

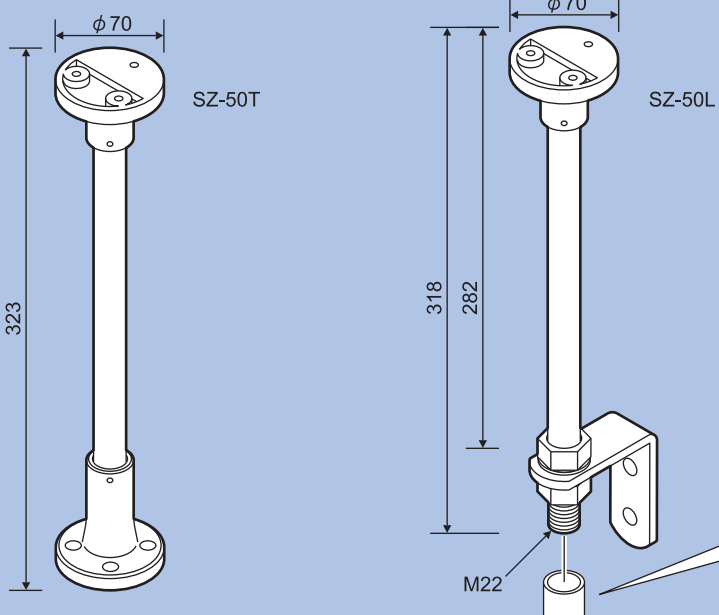


SZ-020 (For φ21.7mm Pole)



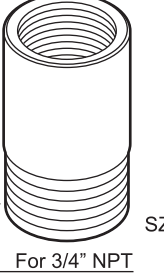
SZ-017 (For φ21.7mm Pole)

Pre-assembled



SZ-50T: Total height 323mm, pole diameter φ70mm.
 SZ-50L: Total height 318mm, mounting height 282mm, pole diameter φ70mm.

Adaptor



SZ-904 (For 3/4" NPT)

M22